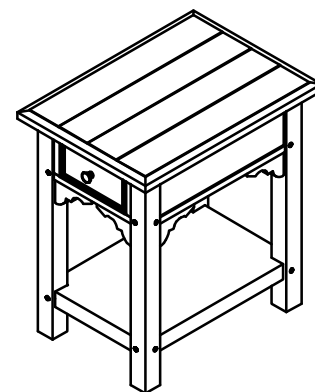


Warning :

- Be sure to check all packing material carefully for small parts, which may have come loose inside the carton during shipment.
- To prevent possible scratches and damage, this furniture **MUST BE ASSEMBLED BY TWO PEOPLE** on a soft surface such as a blanket or carpet.

Important Use Information: We recommend using coasters, placemats and trivets when placing hot or cold containers on this item. It is also recommended to quickly cleanup any spills to minimize exposure to moisture. Doing so will prolong the life and look of the item for many years.

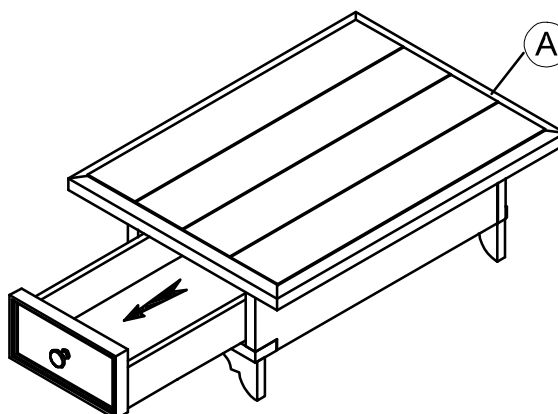


17212
Chairside Table

Components and Hardware List

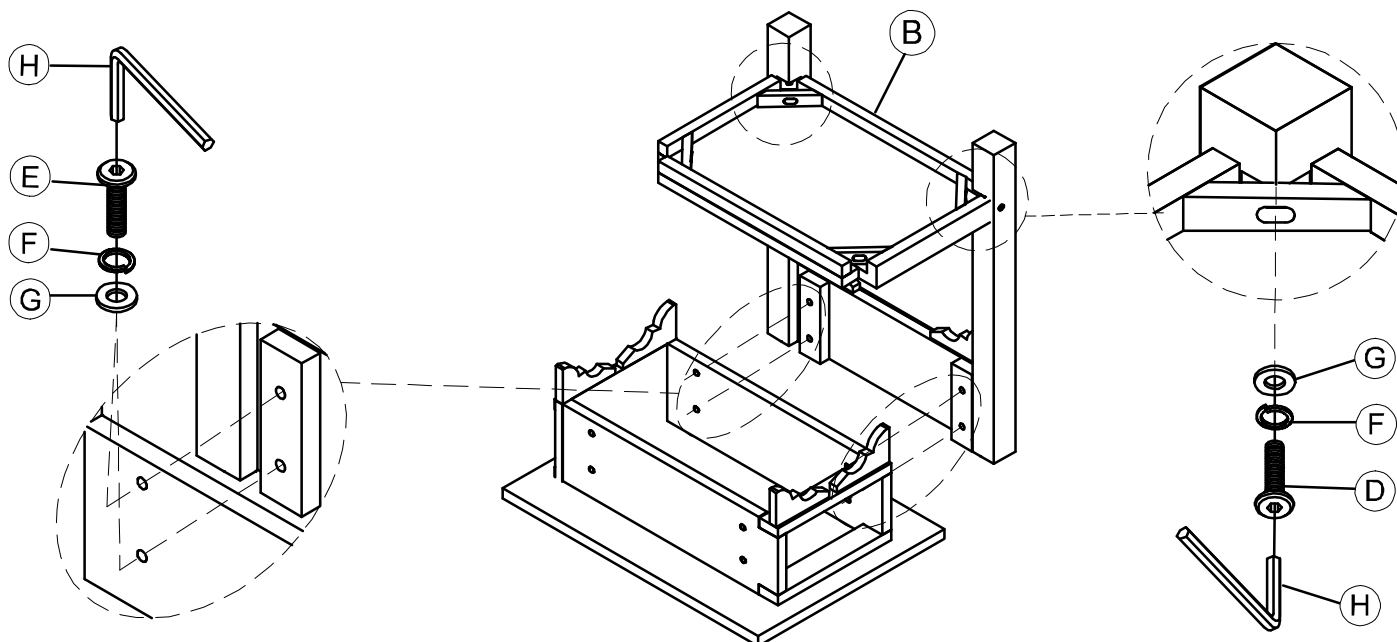
Top Assembly	Leg Assembly	Bottom Panel	Allen Head Bolt Ø1/4" - 20 x 2"	Allen Head Bolt Ø1/4" - 20 x 1-1/2"	Spring Washer Ø1/4"	Flat Washer Ø1/4" x 3/4"	Allen Key 4 mm
1 pc.	2 pcs.	1 pc.	4 pcs.	8 pcs.	12 pcs.	12 pcs.	1 pc.

Step 1 : Remove Drawer



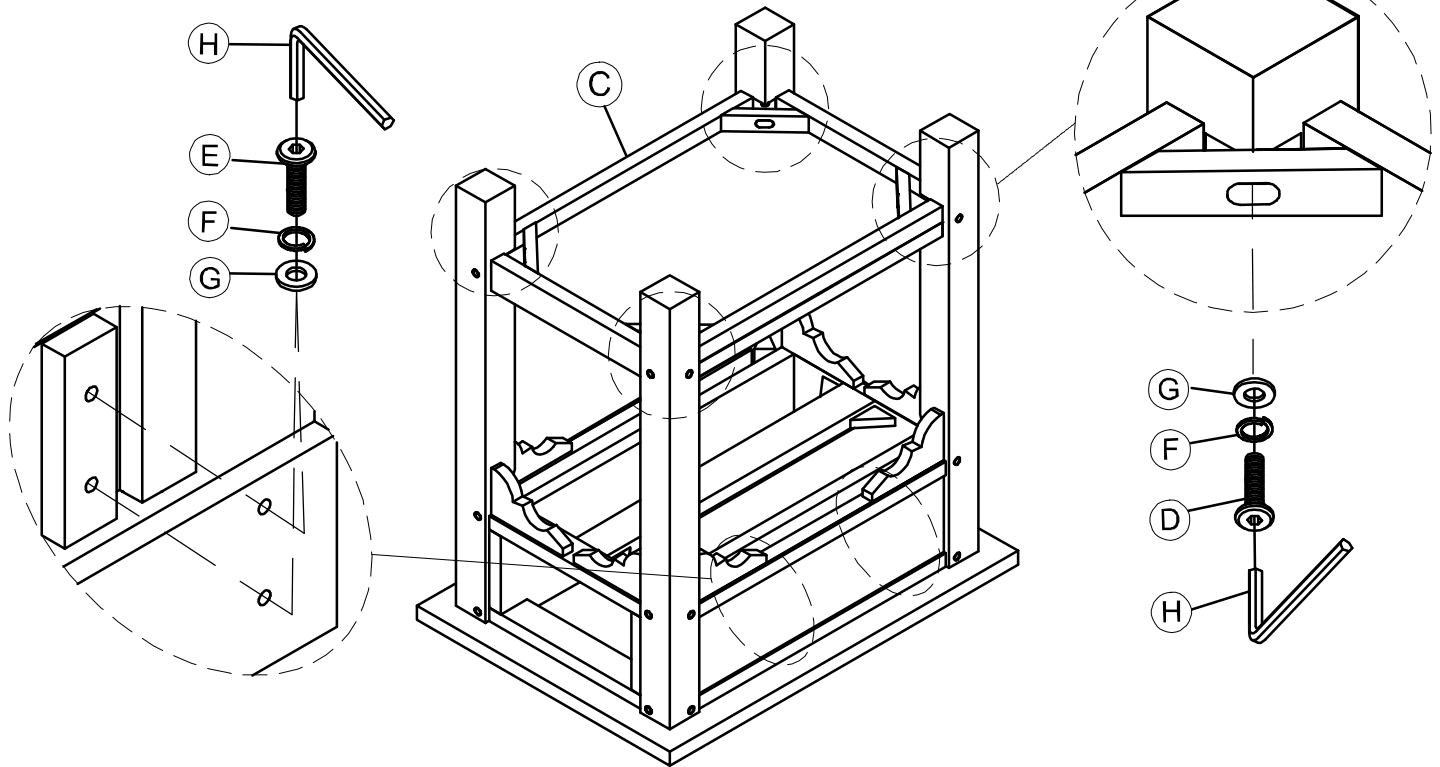
Step 2 : Do not fully tighten the bolts

Step 3 : Do not fully tighten the bolts



Step 4 : Do not fully tighten the bolts

Step 5 : Using the Allen key to tighten all bolts



Step 6 : Attach Drawer

